



930 NSF

Automations for sliding doors

FAAC
Simply automatic.

Automations for sliding doors

single leaf, two leaves continuous duty

■ Architectural design

Thanks to their sober elegance and compact dimensions, FAAC 930 NSF automations can be adapted to every type of architectural environment, even in limited space conditions. For the utmost versatility of use, the NSF Series can be adapted to sliding doors with single leaves and a maximum weight of 120 kg or with double leaves and a maximum weight of 80 kg each leaf. A 930 NSF automation also guarantees considerable energy savings as regards air-conditioning and the total removal of architectural barriers.

■ Reliable and always sliding

Designed to operate at best on each occasion and in every environment, 930 NSF automations are automatically reliable, without limits on the frequency of use. Motor, control unit, supply unit, transmission and optional components like batteries and lock are assembled in a compact module, which can be easily installed on the support head profile.

■ Excellent logics in real time

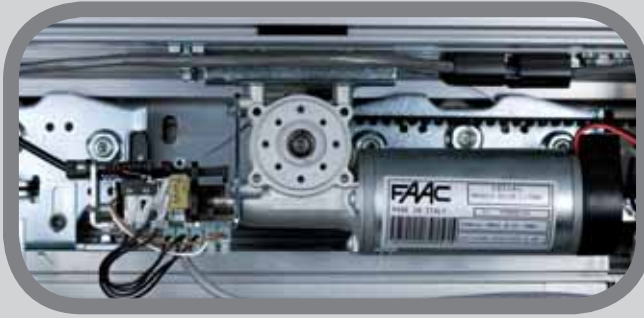
A microprocessor verifies in real time all door activities and guarantees an intelligent control. The operation logics can be selected by means of a functions keypad standard supplied with the automated system.

■ Absolute safety

The 930 NSF Series automatically programs opening and closing force and speed according to the friction and the door weight in conformity with the relevant international safety standards. In case of an obstacle the door reopens immediately. On the next closing it verifies at slow speed if the obstacle is still present.



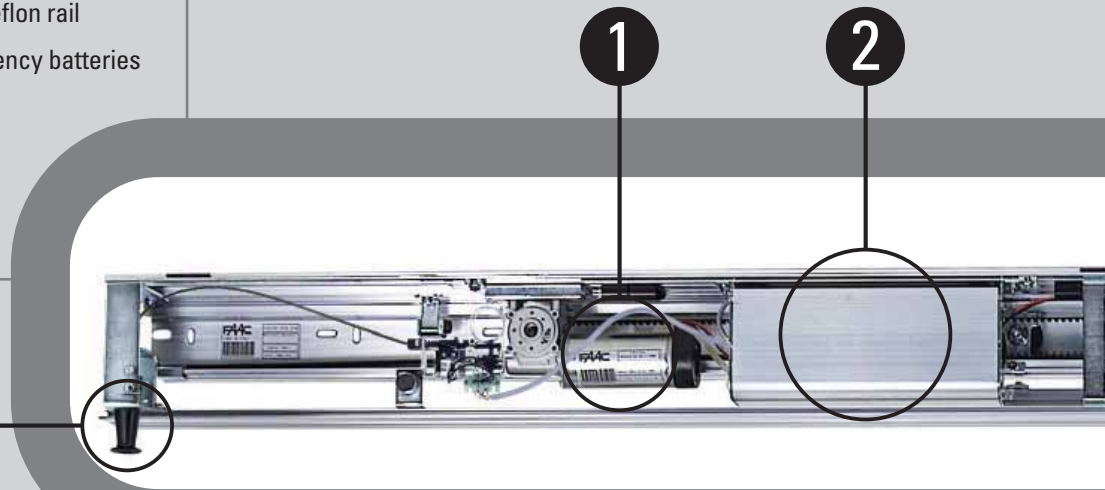
① Motor with electrical lock



③ Trolleys with steel wheels and teflon rail



- 1 Motor with electrical lock
- 2 Microprocessor control unit
- 3 Trolleys with steel wheels and teflon rail
- 4 Toroidal transformer and emergency batteries
- 5 Drive trolley
- 6 Knob for manual release
- 7 Eyelets for a fast mechanical installation



Accessories

- Self-supporting head profile 930 NSFA1 and 930NSFA2
- Electro-mechanical lock with internal release
- Miniswitch GLS photocell
- Infra-red passive sensor
- Microwave radar
- Wall-mounted and flush-mounted keyswitches T20/T21 with emergency release devices
- Profiles for glass leaf fitting
- Lock monitor with activation of indicator-lights or buzzers in the event of a lock malfunction
- Break-out anti-panic kit**
- The emergency batteries with charge control board guarantee the automated system to operate for 30 minutes on continuous use**
- Compatible with the new series of FAAC TK20 and TK50 profiles**

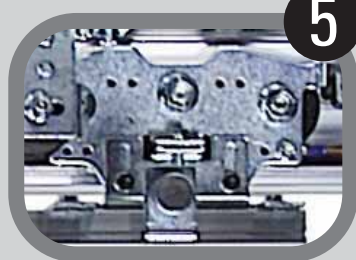
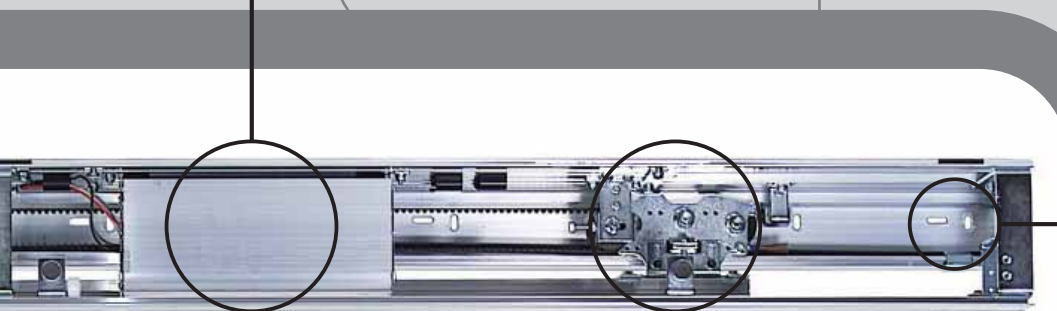
② Microprocessor control unit



Technical specifications

930 NSF

Electric power supply	230 V ac (+6%-10%) 50 (60) Hz
Power consumption	100 W
Frequency of use	100%
Drive unit	24 V dc motor with encoder
Head profile length	VP x 2 + 100 mm
Drive	by electro-driven toothed belt
Opening/closing speed	adjustable (two leaves) 20÷180 cm/s
Emergency opening/closing speed	adjustable
Pause time	adjustable from 0 to 30 s
Static force	150 N (self-learning adjustment)
Partial opening	adjustable (two leaves) from 20 cm to total
Anti-crushing device	standard
Photocells fail-safe	standard (can be excluded)
Protection class	IP 23 (for indoor use only)
Environmental temperature	-20°C ÷ +55°C



Automatic adjustments

- Open and closed positions identified
- Measurement of leaf weights and friction
- Selection of optimum speed, acceleration and deceleration
- Photocell test
- Anti-crushing safety at 150 N



Time slot programmable
calendar management

Use

Model	Leaf	Free passage width (mm)	Leaf max. weight (kg)	Self-supporting (head profile length mm)
930 NSF1	single	700÷3,000	120	NO
930 NSF2	double	800÷3,000	80+80	NO
930 NSFA1	single	700÷3,000	120	YES (max. 3,000)
930 NSFA2	double	800÷3,000	80+80	YES (max. 3,000)

PROGRAMMING DISPLAY

Main functions

- | | |
|-----------------------------|-----------------------------------|
| Entering of access password | Opening speed adjustment |
| Closing speed adjustment | Anti break-in function management |
| Pause times adjustment | Anti-crushing adjustment |
| Diagnostic display | Weekly calendar management |
- Management of interlock with or without memory
 Selection of battery operation logics
 Configuration of 3 outputs on the control unit
 Configuration of 2 emergency inputs on the control unit
 Display of number of cycles carried out
 Management of 5 daily time slots



Programming display

SD KEEPER FUNCTIONS KEYBOARD

Main functions

- | | |
|-----------|------------------|
| Manual | Open |
| Automatic | Partial opening |
| One way | Night |
| Reset | One way, partial |

Troubleshooting through a combination of flashing LEDs
 Operation can be disabled by a jumper or a combination of keys
 Preset for programming display



SD Keeper functions keyboard

SDK LIGHT

Main functions

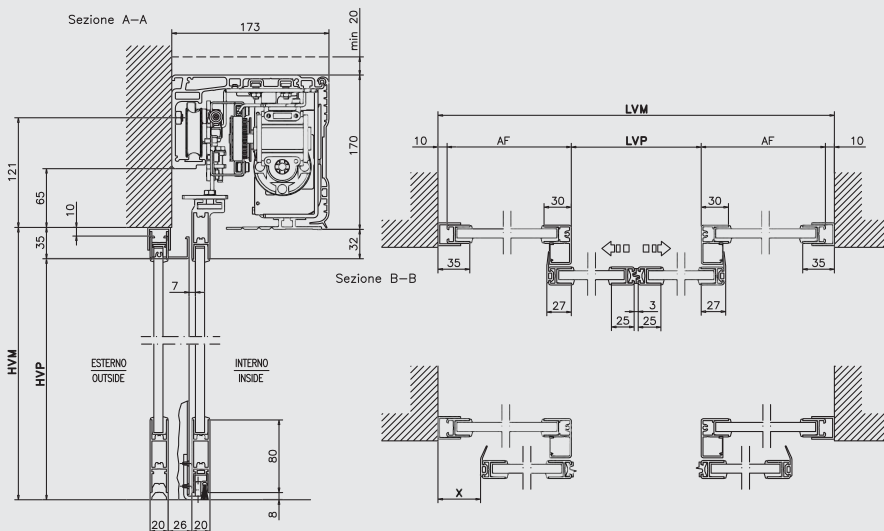
- | | |
|-----------|------------------|
| Manual | Open |
| Automatic | Partial opening |
| One way | Night |
| Reset | One way, partial |

Troubleshooting through a combination of flashing LEDs
 Operation can be disabled by a combination of keys
 Not preset for programming display



SDK Light functions keyboard

SMALL SECTION PROFILES TK 20



HEADQUARTERS

FAAC SpA
Via Benini, 1 – 40069 Zola Predosa (BO) – Italy
Tel. +39 05161724
Fax +39 051 758518
www.faacgroup.com – info@faac.it

FAAC SUBSIDIARIES

FAAC AG
Tel. +41 52 3461721
Fax +41 52 3461723
Illnau, Switzerland
www.faac.ch

FAAC FRANCE
Tel. +33 472218700
Fax +33 472218701
Corbas, France
www.faac.fr

FAAC GMBH
Tel. +49 8654 49810
Fax +49 8654 498125
Freilassing, Germany
www.faac.de

FAAC MIDDLE EAST
Dubai, Emirati Arabi
www.faac.ae
info@faac.ae

F.A.A.C. SA
Tel. +34 91 6613112
Fax +34 91 6610050
Madrid, España
www.faac.es

FAAC UK LTD.
Tel. +44 1256 318100
Fax +44 1256 318101
Basingstoke Hampshire, UK
www.faac.co.uk

FAAC AUSTRALIA PTY LTD
Tel. +61 2 7565644
Fax +61 2 87565677
Homebush – Sydney, Australia
www.faac.com.au

FAAC NORD
Tel. +33 1 69191620
Fax +33 1 69536069
Massy, France
www.faac.fr

FAAC INDIA PVT. LTD
Tel. +91 120 3934100/4199
Fax +91 120 4212132
Noida – Delhi, India
www.faacindia.com

FAAC POLSKA SP.ZO.O.
Tel. +48 22 8141125
Fax +48 22 8142024
Warszawa, Polska
www.faac.pl

F.A.A.C. SA Delegación Cataluña
Tel. +34 93 4362000
Fax +34 93 4368225
Barcelona, España
www.faac.es

FAAC BENELUX
Tel. +32 50 320202
Fax +32 50 32024215
Brugge, Belgium
www.faac.be

FAAC GE.S. M.B.H.
Tel. +43 662 8533950
Fax +43 662 85339520
Wals – Siezenheim, Austria
www.faac.at

FAAC INTERNATIONAL INC.
Tel. +1 307 6351991
Fax +1 307 6328148
Cheyenne, USA
www.faacusa.com

FAAC SCANDINAVIA AB
Tel. +46 36 376860
Fax +46 36 370780
Bankeryd, Sweden
www.faac.se

FAAC SHANGHAI
Tel. +86 21 68182970
Fax +86 21 68182968
Shanghai, China
www.faac.com.cn

